

ALİŞTIRMALAR - 30

Doğal Sayılarla Toplama İşlemi - I

ÖRNEK:

Örnek: 1

$$\begin{array}{r} 4\ 372 \text{ Toplanan} \\ + 2\ 675 \text{ Toplanan} \\ \hline 7\ 047 \text{ Toplam} \end{array}$$

Örnek: 2

$$\begin{array}{r} \textcircled{1}\ \textcircled{1}\ \textcircled{1} \\ 3\ 786 \\ + 1\ 879 \\ \hline 5\ 665 \end{array}$$

$$\begin{array}{l} 9 + 6 = \textcircled{1}5 \\ 1 + 8 + 7 = \textcircled{1}6 \\ 1 + 7 + 8 = \textcircled{1}6 \\ 1 + 3 + 1 = 5 \end{array}$$

ALİŞTIRMALAR:

a) Aşağıdaki toplama işlemlerini yapınız.

1.

$$\begin{array}{r} 3\ 427 \\ + 1\ 716 \\ \hline \end{array}$$

.....

2.

$$\begin{array}{r} 4\ 815 \\ + 2\ 758 \\ \hline \end{array}$$

.....

7.

$$\begin{array}{r} 4\ 277 \\ + 2\ 305 \\ \hline \end{array}$$

.....

8.

$$\begin{array}{r} 4\ 983 \\ + 3\ 658 \\ \hline \end{array}$$

.....

3.

$$\begin{array}{r} 6\ 925 \\ + 1\ 648 \\ \hline \end{array}$$

.....

4.

$$\begin{array}{r} 2\ 723 \\ + 3\ 698 \\ \hline \end{array}$$

.....

9.

$$\begin{array}{r} 5\ 028 \\ + 3\ 056 \\ \hline \end{array}$$

.....

10.

$$\begin{array}{r} 6\ 036 \\ + 3\ 728 \\ \hline \end{array}$$

.....

5.

$$\begin{array}{r} 7\ 264 \\ + 1\ 594 \\ \hline \end{array}$$

.....

6.

$$\begin{array}{r} 8\ 216 \\ + 765 \\ \hline \end{array}$$

.....

11.

$$\begin{array}{r} 4\ 075 \\ + 2\ 807 \\ \hline \end{array}$$

.....

12.

$$\begin{array}{r} 6\ 429 \\ + 1\ 728 \\ \hline \end{array}$$

.....

b) Aşağıdaki toplama işlemlerini yapınız.

1.

$$\begin{array}{r} 3\ 215 \\ 1\ 756 \\ + 4\ 378 \\ \hline \end{array}$$

.....

2.

$$\begin{array}{r} 4\ 376 \\ 2\ 387 \\ + 5\ 634 \\ \hline \end{array}$$

.....

3.

$$\begin{array}{r} 2\ 509 \\ 4\ 657 \\ + 3\ 895 \\ \hline \end{array}$$

.....

4.

$$\begin{array}{r} 7\ 856 \\ 988 \\ + 3\ 656 \\ \hline \end{array}$$

.....

5.

$$\begin{array}{r} 3\ 427 \\ 2\ 985 \\ + 7\ 254 \\ \hline \end{array}$$

.....

6.

$$\begin{array}{r} 6\ 725 \\ 1\ 936 \\ + 8\ 794 \\ \hline \end{array}$$

.....

7.

$$\begin{array}{r} 3\ 906 \\ 2\ 807 \\ + 5\ 094 \\ \hline \end{array}$$

.....

8.

$$\begin{array}{r} 3\ 603 \\ 2\ 896 \\ + 6\ 785 \\ \hline \end{array}$$

.....

c) Aşağıdaki toplama işlemlerini yapınız.

1.

$$\begin{array}{r} 3\ 675 \\ 2\ 756 \\ 3\ 849 \\ + 1\ 756 \\ \hline \end{array}$$

.....

2.

$$\begin{array}{r} 4\ 275 \\ 3\ 636 \\ 8\ 727 \\ + 5\ 430 \\ \hline \end{array}$$

.....

3.

$$\begin{array}{r} 1\ 705 \\ 4\ 987 \\ 2\ 636 \\ + 5\ 784 \\ \hline \end{array}$$

.....

4.

$$\begin{array}{r} 3\ 208 \\ 1\ 756 \\ 5\ 375 \\ + 2\ 087 \\ \hline \end{array}$$

.....

5.

$$\begin{array}{r} 4\ 608 \\ 5\ 927 \\ 3\ 656 \\ + 2\ 809 \\ \hline \end{array}$$

.....

6.

$$\begin{array}{r} 6\ 452 \\ 3\ 988 \\ 2\ 725 \\ + 1\ 004 \\ \hline \end{array}$$

.....

7.

$$\begin{array}{r} 3\ 900 \\ 2\ 805 \\ 6\ 298 \\ + 3\ 493 \\ \hline \end{array}$$

.....

8.

$$\begin{array}{r} 4\ 657 \\ 5\ 004 \\ 8\ 321 \\ + 6\ 938 \\ \hline \end{array}$$

.....

ALİŞTIRMALAR - 31

Doğal Sayılarla Toplama İşlemi - II

ÖRNEK:

$$\begin{array}{r}
 2\ 756 \longrightarrow \\
 +\ 1\ 872 \longrightarrow \\
 \hline
 4\ 628 \longrightarrow
 \end{array}
 \begin{array}{r}
 2\ 000 + 700 + 50 + 6 \\
 +\ 1\ 000 + 800 + 70 + 2 \\
 \hline
 3\ 000 + 1\ 500 + 120 + 8 \\
 \begin{array}{l}
 \swarrow \quad \searrow \\
 3\ 000 + 1\ 000 + 500 + 100 + 20 + 8 \\
 3\ 000 + 1\ 000 + 500 + 100 + 20 + 8 \\
 4\ 000 + 600 + 20 + 8 = 4\ 628
 \end{array}
 \end{array}$$

ALİŞTIRMALAR:

a) Aşağıdaki toplama işlemlerini yukarıdaki örnekteki gibi yapınız.

1.

$$\begin{array}{r}
 3\ 627 \quad \dots\dots\dots \\
 +\ 1\ 438 \quad \dots\dots\dots \\
 \hline
 \dots\dots\dots \quad \dots\dots\dots \\
 \dots\dots\dots \quad \dots\dots\dots
 \end{array}$$

4.

$$\begin{array}{r}
 5\ 754 \quad \dots\dots\dots \\
 +\ 2\ 648 \quad \dots\dots\dots \\
 \hline
 \dots\dots\dots \quad \dots\dots\dots \\
 \dots\dots\dots \quad \dots\dots\dots
 \end{array}$$

2.

$$\begin{array}{r}
 1\ 649 \quad \dots\dots\dots \\
 +\ 4\ 578 \quad \dots\dots\dots \\
 \hline
 \dots\dots\dots \quad \dots\dots\dots \\
 \dots\dots\dots \quad \dots\dots\dots
 \end{array}$$

5.

$$\begin{array}{r}
 6\ 394 \quad \dots\dots\dots \\
 +\ 2\ 716 \quad \dots\dots\dots \\
 \hline
 \dots\dots\dots \quad \dots\dots\dots \\
 \dots\dots\dots \quad \dots\dots\dots
 \end{array}$$

3.

$$\begin{array}{r}
 4\ 058 \quad \dots\dots\dots \\
 +\ 1\ 927 \quad \dots\dots\dots \\
 \hline
 \dots\dots\dots \quad \dots\dots\dots \\
 \dots\dots\dots \quad \dots\dots\dots
 \end{array}$$

6.

$$\begin{array}{r}
 1\ 319 \quad \dots\dots\dots \\
 +\ 7\ 824 \quad \dots\dots\dots \\
 \hline
 \dots\dots\dots \quad \dots\dots\dots \\
 \dots\dots\dots \quad \dots\dots\dots
 \end{array}$$

b) Aşağıdaki toplama işlemleri ile sonuçlarını örnekteki gibi eşleştiriniz.

1. $2\ 327 + 1\ 456 =$ $9\ 302$

2. $4\ 756 + 5\ 893 =$ $10\ 633$

3. $8\ 275 + 1\ 027$ $8\ 700$

4. $6\ 328 + 1\ 927$ $9\ 179$

5. $3\ 809 + 6\ 824$ $8\ 255$

6. $5\ 713 + 2\ 987$ $3\ 783$ 1

7. $8\ 725 + 1\ 014$ $10\ 649$

8. $6\ 372 + 2\ 807$ $9\ 739$

ANALİZ YAYINLARI

c) Aşağıdaki toplama işlemlerini örnekteki gibi yapınız.

Örnek:

$$\begin{array}{r} 3\ 275 \\ + 4\ 657 \\ \hline 7\ 932 \end{array} \quad \begin{array}{r} 7\ 932 \\ + 3\ 894 \\ \hline 11\ 826 \end{array}$$

1.
$$\begin{array}{r} 6\ 725 \\ + 4\ 930 \\ \hline \dots\dots\dots \end{array} \quad \begin{array}{r} \dots\dots\dots \\ + 3\ 785 \\ \hline \dots\dots\dots \end{array}$$

2.
$$\begin{array}{r} 5\ 648 \\ + 2\ 756 \\ \hline \dots\dots\dots \end{array} \quad \begin{array}{r} \dots\dots\dots \\ + 6\ 875 \\ \hline \dots\dots\dots \end{array}$$

3.
$$\begin{array}{r} 2\ 509 \\ + 1\ 756 \\ \hline \dots\dots\dots \end{array} \quad \begin{array}{r} \dots\dots\dots \\ + 8\ 725 \\ \hline \dots\dots\dots \end{array}$$

4.
$$\begin{array}{r} 6\ 308 \\ + 3\ 705 \\ \hline \dots\dots\dots \end{array} \quad \begin{array}{r} \dots\dots\dots \\ + 4\ 716 \\ \hline \dots\dots\dots \end{array}$$

ALİŞTIRMALAR - 32

Doğal Sayılarla Toplama İşlemi - III

ÖRNEK:

Örnek 1. $327 + 436 + 248 = (327 + 436) + 248$
 $= 763 + 248$
 $= 1011$

- Üç toplananı olan toplama işlemlerinde parantez kullanarak işlemleri daha kolay yapabiliriz.

Örnek 2. $1456 + 2785 + 3056 = (1456 + 2785) + 3056$
 $= 4241 + 3056$
 $= 7297$

ALİŞTIRMALAR:

a) Aşağıdaki toplama işlemlerini örneğe göre yapınız.

1. $(387 + 256) + 598 = ?$
 $= 643 + 598$
 $= 1241$

2. $(3678 + 4075) + 987 = ?$
 $= +$
 $=$

3. $(2078 + 1974) + 876 = ?$
 $= +$
 $=$

4. $(654 + 175) + 7248 = ?$
 $= +$
 $=$

5. $(908 + 1424) + 5728 = ?$
 $= +$
 $=$

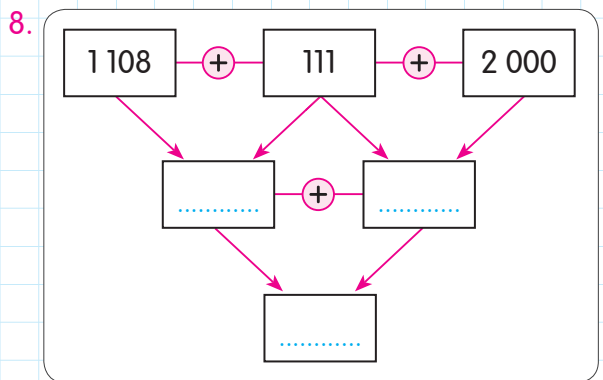
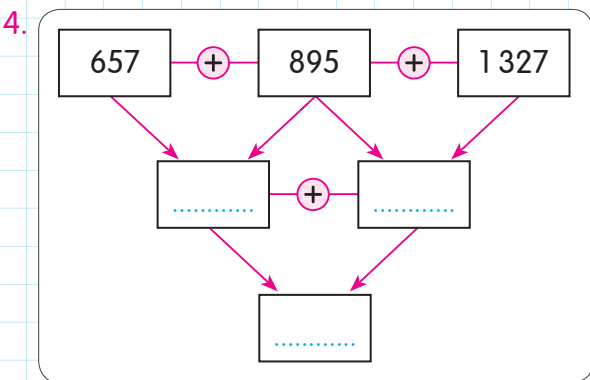
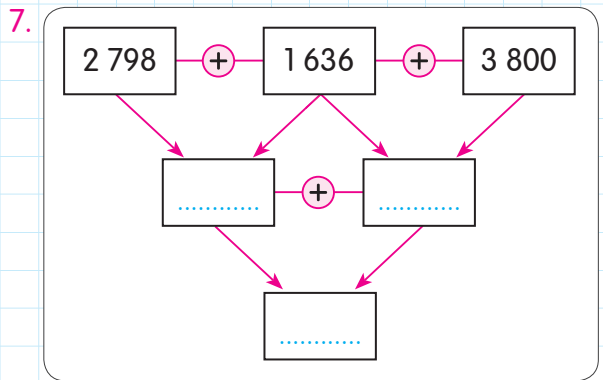
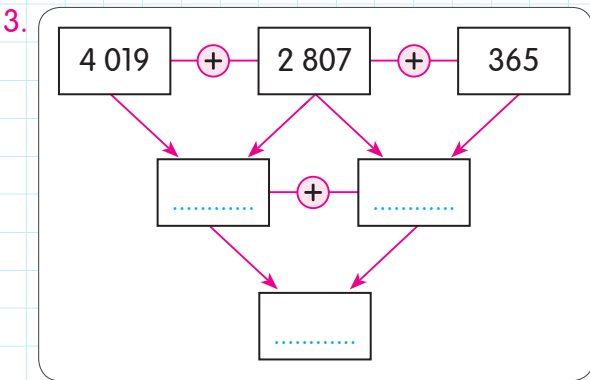
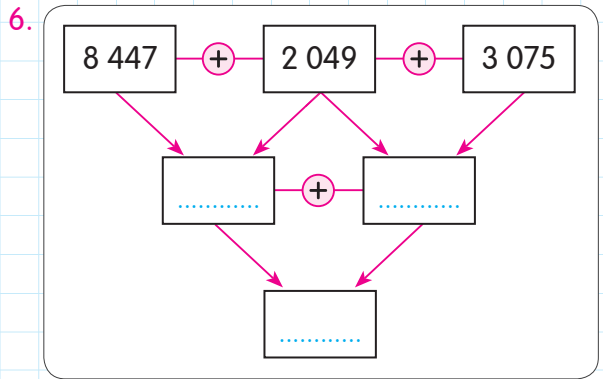
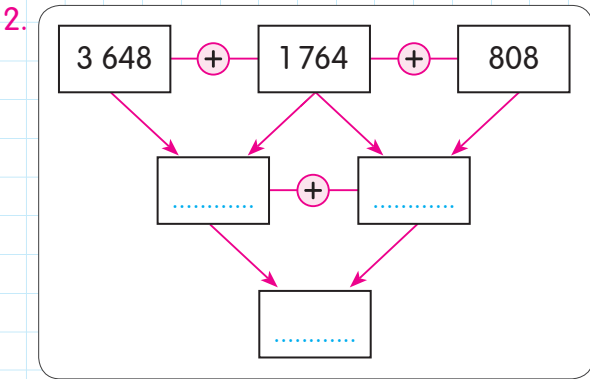
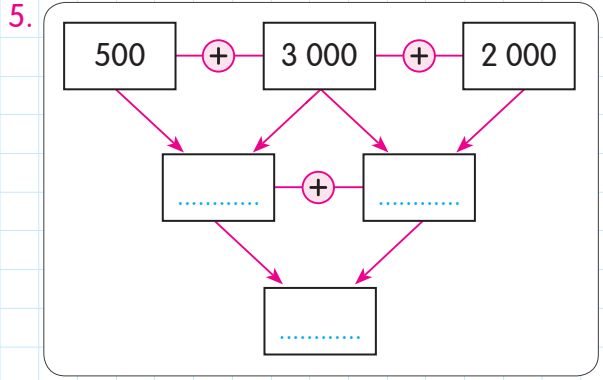
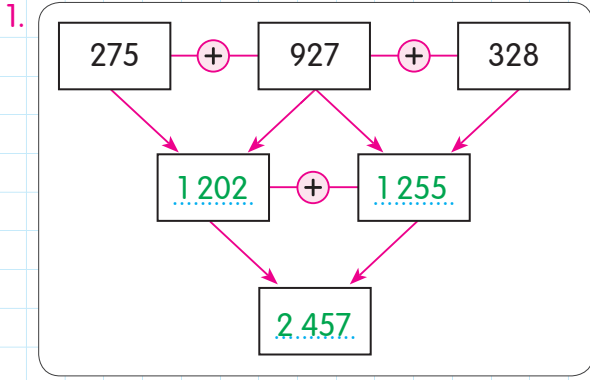
6. $(6754 + 3289) + 327 = ?$
 $= +$
 $=$

7. $(725 + 2986) + 3028 = ?$
 $= +$
 $=$

8. $(468 + 2087) + 4509 = ?$
 $= +$
 $=$



b) Aşağıda şema ile verilen toplama işlemlerini örneğe uygun olarak yapınız.



ALİŞTIRMALAR - 33

Doğal Sayılarla Toplama İşlemi - IV

ÖRNEK:

Örnek: 1

$$\begin{array}{r} 287 \\ + 529 \\ \hline 816 \end{array}$$

$$\begin{array}{r} 529 \\ + 287 \\ \hline 816 \end{array}$$

Örnek: 2

$$\begin{array}{r} 1568 \\ + 2424 \\ \hline 3992 \end{array}$$

$$\begin{array}{r} 2424 \\ + 1568 \\ \hline 3992 \end{array}$$

Toplama işleminde toplananların yeri değiştirilirse toplam değişmez.

ALİŞTIRMALAR:

a) Aşağıdaki toplama işlemlerini yukarıdaki örneklere göre yapınız.

1.

$$\begin{array}{r} 369 \\ + 728 \\ \hline \end{array}$$

$$\begin{array}{r} \\ + \\ \hline \end{array}$$

4.

$$\begin{array}{r} 7310 \\ + 5628 \\ \hline \end{array}$$

$$\begin{array}{r} \\ + \\ \hline \end{array}$$

2.

$$\begin{array}{r} 1845 \\ + 2932 \\ \hline \end{array}$$

$$\begin{array}{r} \\ + \\ \hline \end{array}$$

5.

$$\begin{array}{r} 4054 \\ + 1500 \\ \hline \end{array}$$

$$\begin{array}{r} \\ + \\ \hline \end{array}$$

3.

$$\begin{array}{r} 6708 \\ + 3916 \\ \hline \end{array}$$

$$\begin{array}{r} \\ + \\ \hline \end{array}$$

6.

$$\begin{array}{r} 4909 \\ + 1082 \\ \hline \end{array}$$

$$\begin{array}{r} \\ + \\ \hline \end{array}$$



b) Aşağıdaki eşitliklerde verilmeyen toplananları bulunuz.

1. $275 + 366 = \dots\dots\dots + 275$

2. $178 + 2916 = 2916 + \dots\dots\dots$

3. $3275 + 598 = 598 + \dots\dots\dots$

4. $6400 + 3200 = 3200 + \dots\dots\dots$

5. $7813 + 9645 = 9645 + \dots\dots\dots$

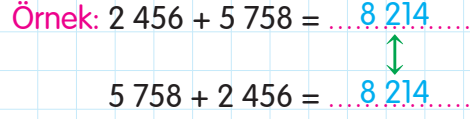
6. $4068 + 3204 = \dots\dots\dots + 4068$

7. $9432 + 1725 = \dots\dots\dots + 9432$

8. $5072 + 3086 = \dots\dots\dots + 5072$

c) Aşağıdaki toplama işlemlerini örnekteki gibi yapınız ve toplamları karşılaştırınız.

Örnek: $2456 + 5758 = \dots\dots\dots$
 $5758 + 2456 = \dots\dots\dots$



1. $3698 + 2756 = \dots\dots\dots$

$2756 + 3698 = \dots\dots\dots$

2. $5075 + 3896 = \dots\dots\dots$

$3896 + 5075 = \dots\dots\dots$

3. $12497 + 15658 = \dots\dots\dots$

$15658 + 12497 = \dots\dots\dots$

4. $1286 + 4824 = \dots\dots\dots$

$4824 + 1286 = \dots\dots\dots$

5. $6721 + 2689 = \dots\dots\dots$

$2689 + 6721 = \dots\dots\dots$