

ALİŞTIRMALAR - 37

Doğal Sayılarla Çıkarma İşlemi - I

ÖRNEK:

Örnek: 1

$$\begin{array}{r} 3\ 8\ 6\ 8 \\ - 1\ 7\ 3\ 6 \\ \hline 2\ 1\ 3\ 2 \end{array}$$

Eksilen
Çıkan
Fark

Örnek: 2

$$\begin{array}{r} 12\ 11 \\ 6\ 2\ 7\ 15 \\ 7\ 3\ 2\ 5 \\ - 3\ 8\ 4\ 7 \\ \hline 3\ 4\ 7\ 8 \end{array}$$

15 - 7 = 8
11 - 4 = 7
12 - 8 = 4
6 - 3 = 3

Örnek: 3

$$4\ 025 - 1\ 738 = 2\ 287$$

ALİŞTIRMALAR:

a) Aşağıdaki çıkarma işlemlerini yapınız.

1.

$$\begin{array}{r} 6\ 3\ 8\ 7 \\ - 3\ 9\ 3\ 6 \\ \hline \end{array}$$

.....

2.

$$\begin{array}{r} 8\ 0\ 3\ 2 \\ - 3\ 7\ 5\ 8 \\ \hline \end{array}$$

.....

7.

$$\begin{array}{r} 12\ 4\ 0\ 3 \\ - 7\ 5\ 9\ 8 \\ \hline \end{array}$$

.....

8.

$$\begin{array}{r} 8\ 0\ 0\ 0 \\ - 3\ 7\ 5\ 6 \\ \hline \end{array}$$

.....

3.

$$\begin{array}{r} 9\ 6\ 7\ 2 \\ - 4\ 3\ 2\ 0 \\ \hline \end{array}$$

.....

4.

$$\begin{array}{r} 7\ 2\ 0\ 1 \\ - 2\ 9\ 8\ 7 \\ \hline \end{array}$$

.....

9.

$$\begin{array}{r} 6\ 5\ 7\ 2 \\ - 3\ 8\ 9\ 6 \\ \hline \end{array}$$

.....

10.

$$\begin{array}{r} 7\ 0\ 0\ 0 \\ - 3\ 6\ 4\ 8 \\ \hline \end{array}$$

.....

5.

$$\begin{array}{r} 7\ 2\ 7\ 5 \\ - 2\ 9\ 4\ 8 \\ \hline \end{array}$$

.....

6.

$$\begin{array}{r} 2\ 6\ 3\ 2 \\ - 1\ 3\ 7\ 5 \\ \hline \end{array}$$

.....

11.

$$\begin{array}{r} 40\ 40\ 2 \\ - 26\ 86\ 4 \\ \hline \end{array}$$

.....

12.

$$\begin{array}{r} 72\ 400 \\ - 36\ 825 \\ \hline \end{array}$$

.....

b) Aşağıdaki çıkarma işlemlerini yaparak sonuçlarıyla örnekteki gibi eşleştiriniz.

1. $7\,264 - 4\,378 = 2\,886$ 2 088

2. $6\,013 - 2\,935 = \dots?$ 2 237

3. $8\,024 - 5\,936 = \dots?$ 3 515

4. $9\,205 - 4\,528 = \dots?$ 3 896

5. $5\,000 - 2\,763 = \dots?$ 2 886

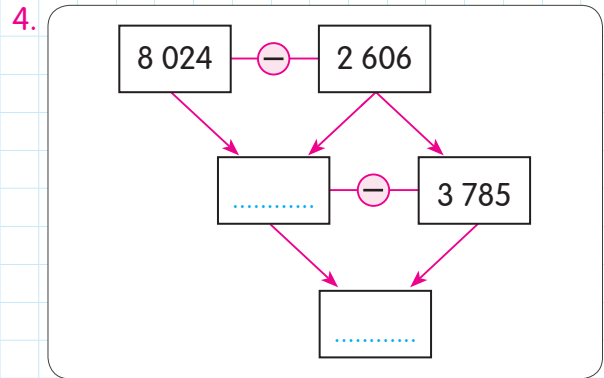
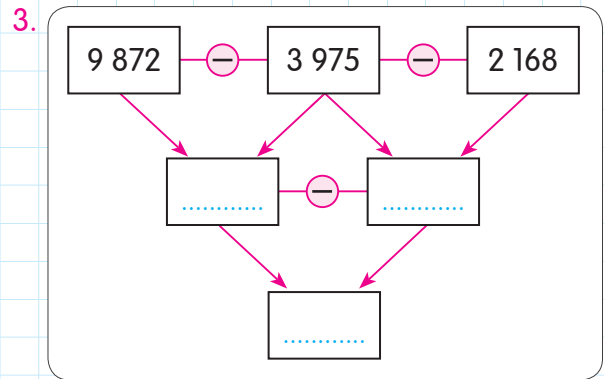
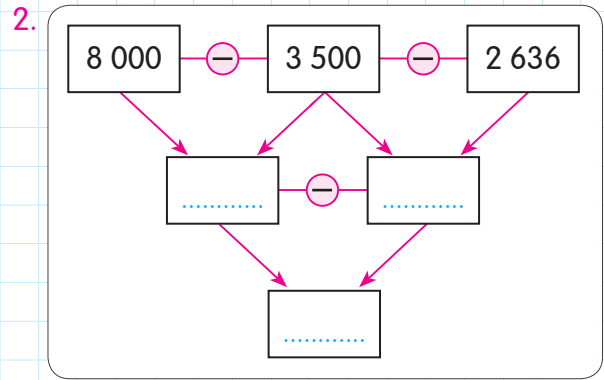
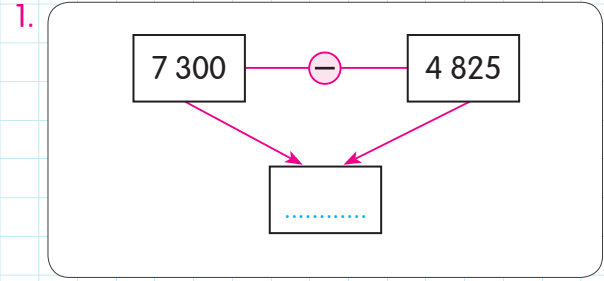
6. $7\,162 - 3\,647 = \dots?$ 3 078

7. $4\,541 - 2\,764 = \dots?$ 1 777

8. $6\,304 - 2\,408 = \dots?$ 4 677

ANALİZ YAYINLARI

c) Aşağıdaki şema ile verilen çıkarma işlemlerini oklar yönünde yapınız.



ALİŞTIRMALAR - 38

Doğal Sayılarla Çıkarma İşlemi - II

a) Aşağıdaki çıkarma işlemlerinin sonuçlarını bulmacaya yazınız.

1. $7\ 148 - 3\ 251 = 3897$

2. $8\ 564 - 1178 = ?$

3. $9\ 705 - 3\ 153 = ?$

4. $8\ 525 - 5\ 263 = ?$

5. $6\ 765 - 2\ 987 = ?$

6. $9\ 799 - 1\ 545 = ?$

7. $6\ 702 - 2\ 701 = ?$

8. $5\ 432 - 4\ 340 = ?$

9. $7\ 077 - 675 = ?$

10. $9\ 023 - 2\ 363 = ?$

11. $5\ 787 - 2\ 767 = ?$

12. $8\ 764 - 6\ 431 = ?$

13. $4\ 786 - 1\ 794 = ?$

14. $9\ 765 - 6\ 900 = ?$

15. $5\ 895 - 2\ 800 = ?$

16. $8\ 525 - 3\ 762 = ?$

17. $5\ 686 - 2\ 432 = ?$

18. $8\ 645 - 5\ 552 = ?$

19. $8\ 763 - 5\ 667 = ?$

20. $3\ 768 - 552 = ?$



b) Aşağıdaki çıkarma işlemlerini yapınız.

1.

$$\begin{array}{r} 7\ 000 \\ - 3\ 436 \\ \hline \end{array}$$

.....

2.

$$\begin{array}{r} 7\ 103 \\ - 2\ 875 \\ \hline \end{array}$$

.....

3.

$$\begin{array}{r} 9\ 272 \\ - 5\ 698 \\ \hline \end{array}$$

.....

4.

$$\begin{array}{r} 8\ 002 \\ - 5\ 246 \\ \hline \end{array}$$

.....

5.

$$\begin{array}{r} 7\ 134 \\ - 4\ 689 \\ \hline \end{array}$$

.....

6.

$$\begin{array}{r} 6\ 284 \\ - 4\ 796 \\ \hline \end{array}$$

.....

7.

$$\begin{array}{r} 5\ 000 \\ - 2\ 708 \\ \hline \end{array}$$

.....

8.

$$\begin{array}{r} 12\ 400 \\ - 8\ 745 \\ \hline \end{array}$$

.....

9.

$$\begin{array}{r} 15\ 623 \\ - 9\ 878 \\ \hline \end{array}$$

.....

10.

$$\begin{array}{r} 6\ 100 \\ - 3\ 876 \\ \hline \end{array}$$

.....

c) Aşağıdaki çıkarma işlemlerini örneğe uygun olarak yapınız.

Örnek:

$$\begin{array}{r} 8\ 273 \\ - 4\ 368 \\ \hline 3\ 905 \end{array} \quad \begin{array}{r} \xrightarrow{\hspace{1cm}} \\ 3\ 905 \\ - 1\ 758 \\ \hline 2\ 147 \end{array}$$

1.

$$\begin{array}{r} 7\ 352 \\ - 3\ 896 \\ \hline \end{array} \quad \begin{array}{r} \xrightarrow{\hspace{1cm}} \\ \dots\dots\dots \\ - 1\ 649 \\ \hline \dots\dots\dots \end{array}$$

2.

$$\begin{array}{r} 9\ 174 \\ - 3\ 896 \\ \hline \end{array} \quad \begin{array}{r} \xrightarrow{\hspace{1cm}} \\ \dots\dots\dots \\ - 2\ 864 \\ \hline \dots\dots\dots \end{array}$$

3.

$$\begin{array}{r} 10\ 275 \\ - 4\ 897 \\ \hline \end{array} \quad \begin{array}{r} \xrightarrow{\hspace{1cm}} \\ \dots\dots\dots \\ - 4\ 179 \\ \hline \dots\dots\dots \end{array}$$

4.

$$\begin{array}{r} 8\ 032 \\ - 3\ 875 \\ \hline \end{array} \quad \begin{array}{r} \xrightarrow{\hspace{1cm}} \\ \dots\dots\dots \\ - 1\ 958 \\ \hline \dots\dots\dots \end{array}$$

ALİŞTIRMALAR - 39

Doğal Sayılarla Çıkarma İşlemi - III

ÖRNEK:

Örnek 1

$$\begin{array}{r} 7\ 3\ 5\ 2 \\ - 2\ 6\ 7\ 7 \\ \hline 4\ 6\ 7\ 5 \end{array}$$

7 3 5 2 → 7 3 5 2
 2 6 7 7 → 4 6 7 5
 4 6 7 5 → 2 6 7 7 → Çıkan

Örnek 2

$$\begin{array}{r} 6\ 5\ 4\ 8 \\ - 3\ 6\ 7\ 6 \\ \hline 2\ 8\ 7\ 2 \end{array}$$

6 5 4 8 ← 3 6 7 6
 3 6 7 6 → 2 8 7 2
 2 8 7 2 → Eksilen ← 6 5 4 8

- Verilmeyen çıkanı bulurken eksilenden fark çıkarılır.

- Verilmeyen eksileni bulurken çıkan ile fark toplanır.

ALİŞTIRMALAR:

a) Aşağıdaki çıkarma işlemlerinde verilmeyen çıkanları bulunuz.

1.

$$\begin{array}{r} 4\ 7\ 6\ 2 \\ - \dots\dots\dots \\ \hline 3\ 5\ 7\ 8 \end{array}$$

4.

$$\begin{array}{r} 8\ 1\ 3\ 4 \\ - \dots\dots\dots \\ \hline 4\ 2\ 7\ 5 \end{array}$$

2.

$$\begin{array}{r} 5\ 0\ 7\ 3 \\ - \dots\dots\dots \\ \hline 1\ 6\ 7\ 8 \end{array}$$

5.

$$\begin{array}{r} 9\ 7\ 3\ 6 \\ - \dots\dots\dots \\ \hline 3\ 5\ 4\ 8 \end{array}$$

3.

$$\begin{array}{r} 6\ 2\ 1\ 8 \\ - \dots\dots\dots \\ \hline 2\ 7\ 5\ 6 \end{array}$$

6.

$$\begin{array}{r} 7\ 4\ 0\ 2 \\ - \dots\dots\dots \\ \hline 3\ 6\ 9\ 8 \end{array}$$

b) Aşağıdaki çıkarma işlemlerinde verilmeyen eksilenleri bulunuz.

1.

$$\begin{array}{r} \dots\dots\dots \\ - 3\ 756 \longrightarrow \dots\dots\dots \\ 4\ 875 \longrightarrow + \underline{\dots\dots\dots} \\ \dots\dots\dots \end{array}$$

5.

$$\begin{array}{r} \dots\dots\dots \\ - 1\ 236 \longrightarrow \dots\dots\dots \\ 4\ 709 \longrightarrow + \underline{\dots\dots\dots} \\ \dots\dots\dots \end{array}$$

2.

$$\begin{array}{r} \dots\dots\dots \\ - 5\ 618 \longrightarrow \dots\dots\dots \\ 7\ 356 \longrightarrow + \underline{\dots\dots\dots} \\ \dots\dots\dots \end{array}$$

6.

$$\begin{array}{r} \dots\dots\dots \\ - 5\ 347 \longrightarrow \dots\dots\dots \\ 1\ 376 \longrightarrow + \underline{\dots\dots\dots} \\ \dots\dots\dots \end{array}$$

3.

$$\begin{array}{r} \dots\dots\dots \\ - 8\ 734 \longrightarrow \dots\dots\dots \\ 6\ 949 \longrightarrow + \underline{\dots\dots\dots} \\ \dots\dots\dots \end{array}$$

7.

$$\begin{array}{r} \dots\dots\dots \\ - 3\ 297 \longrightarrow \dots\dots\dots \\ 4\ 639 \longrightarrow + \underline{\dots\dots\dots} \\ \dots\dots\dots \end{array}$$

4.

$$\begin{array}{r} \dots\dots\dots \\ - 3\ 728 \longrightarrow \dots\dots\dots \\ 2\ 694 \longrightarrow + \underline{\dots\dots\dots} \\ \dots\dots\dots \end{array}$$

8.

$$\begin{array}{r} \dots\dots\dots \\ - 6\ 872 \longrightarrow \dots\dots\dots \\ 3\ 782 \longrightarrow + \underline{\dots\dots\dots} \\ \dots\dots\dots \end{array}$$